

PRODUCT INFORMATION PACKET

Model No: 5KH39QN9681X
Catalog No: 4380
1/3,1800,DP,48,1/60/115
General Purpose Motors



Regal and Marathon are trademarks of Regal Rexnord Corporation or one of its affiliated companies.
©2021 Regal Rexnord Corporation, All Rights Reserved. MC017097E

Nameplate Specifications

Output HP	0.33 Hp	Output KW	0.25 kW
Frequency	60 Hz	Voltage	115 V
Current	6.2 A	Speed	1725 rpm
Service Factor	1	Phase	1
Efficiency	0 %	Power Factor	0
Duty	Continuous	Insulation Class	B
KVA Code	T	Frame	48
Enclosure	Drip Proof	Thermal Protection	AUTO
Ambient Temperature	40 °C	Drive End Bearing Size	6203
Opp Drive End Bearing Size	6203	UL	Recognized
Number of Speeds	1		

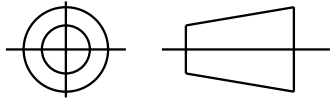
Technical Specifications

Electrical Type	Split Phase	Starting Method	SM
Poles	4	Rotation	Counterclockwise/Clockwise
Mounting	Rigid Base	Motor Orientation	Any
Drive End Bearing	Ball	Opp Drive End Bearing	Ball
Overall Length	8.90 in	Frame Length	5.16 in
Shaft Extension	.500 X 1.50 FLAT in		
Outline Drawing	52A106959P1	Connection Drawing	52A105379AA

This is an uncontrolled document once printed or downloaded and is subject to change without notice. Date Created:10/11/2021

SHEET 1
REV 4
52A106959

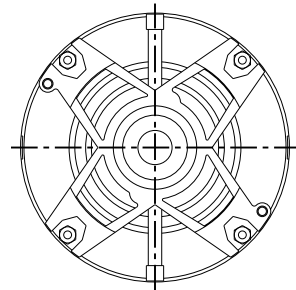
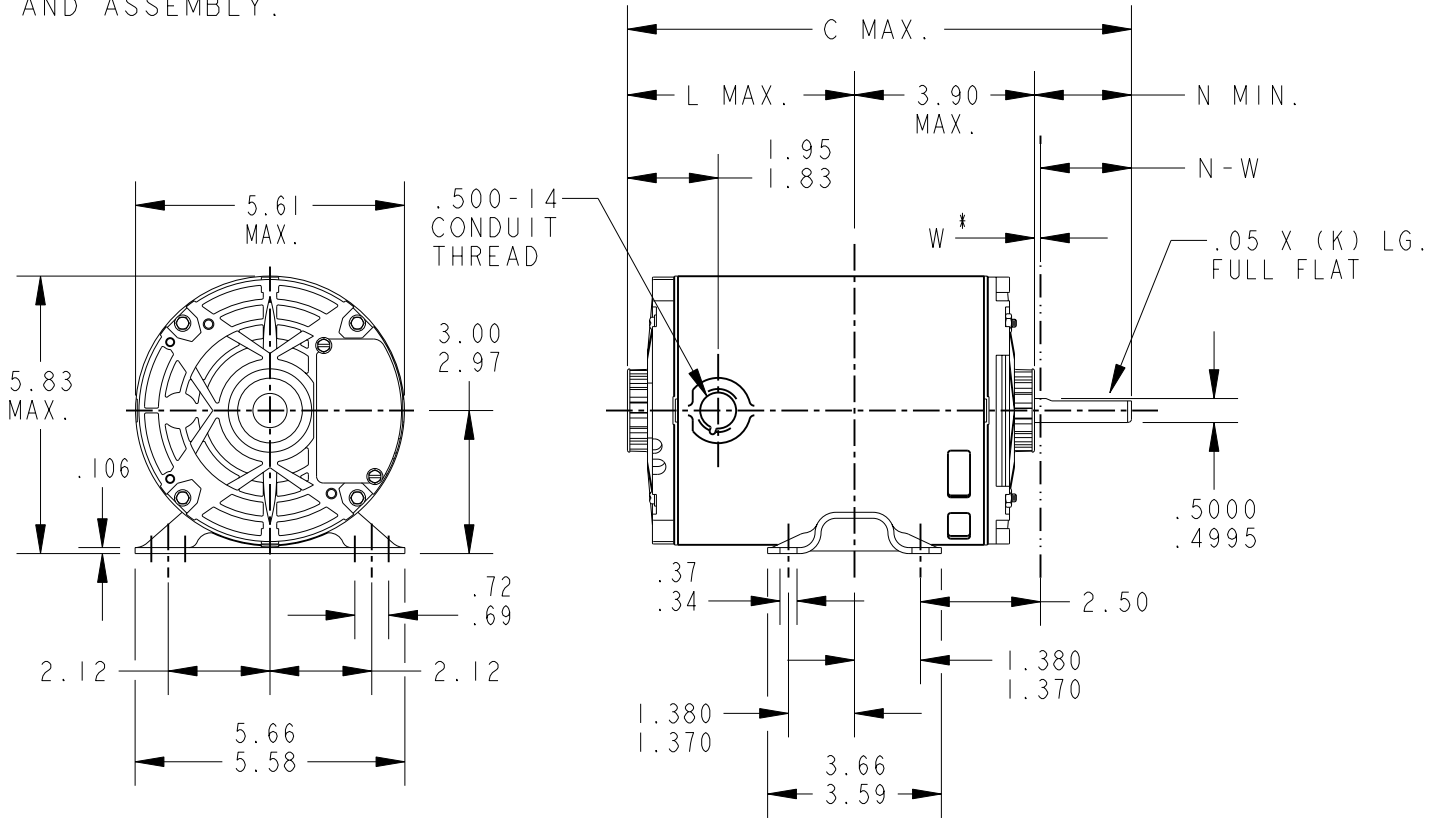
THIRD ANGLE PROJECTION



REVISIONS


REV.	DESCRIPTION	DATE	APPROVED
3	REDRAWN & ADDED P7	09/09/93	MAM
4	CHG TO RBC FORMAT PER ISO5-1777	02/15/06	SUDHA

W* IS A CLEARANCE DUE TO VARIATION IN PARTS AND ASSEMBLY.



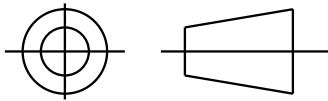
VIEW SHOWING P.E. VENTILATION OPENINGS

7	KH	33	48	9.00	1.34	3.84	1.88	2.01/1.79
6	KH	32	48	8.62	1.16	3.27	1.50	1.63/1.41
5	K KH	37	48	10.40	1.16	5.05	1.50	1.63/1.41
4	K KH	36	48	10.00	1.16	4.65	1.50	1.63/1.41
3	K KH	35	48	9.57	1.16	4.22	1.50	1.63/1.41
2	K KH	33	48	9.19	1.16	3.84	1.50	1.63/1.41
1	K KH	32	48	8.94	1.16	3.59	1.50	1.63/1.41
P	TYPE	GE SIZE	NEMA FR	C	K	L	N	N-W

FOR ADDITIONAL INFO REFER TO: APPLIED PRACTICES DIMENSIONS ARE IN INCHES ✓ MATERIAL	SIGNATURES	DATE	 REGAL-BELOIT CORPORATION TITLE OUTLINE FORM N - GENERAL PURPOSE MOTOR - DRIP PROOF - WELDED BASE - BALL OR SLEEVE BEARING SCALE: 0.250 REF. No: . SHEET 1 of 1
	MODEL	MAM 06/15/89	
	DETAIL	.	
	CHECKED	.	
	ENGRG	.	
MFG	.		
QUALITY	.		
ISSUED	MAM 09/09/93		
SOLID MODEL: 52A106959			

SHEET 6
REV 6
52A105379AA
SIZE DRAWING NO. A

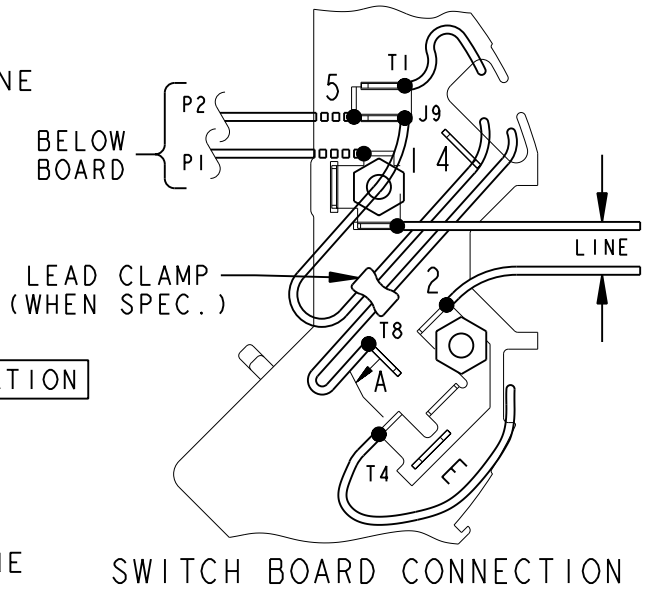
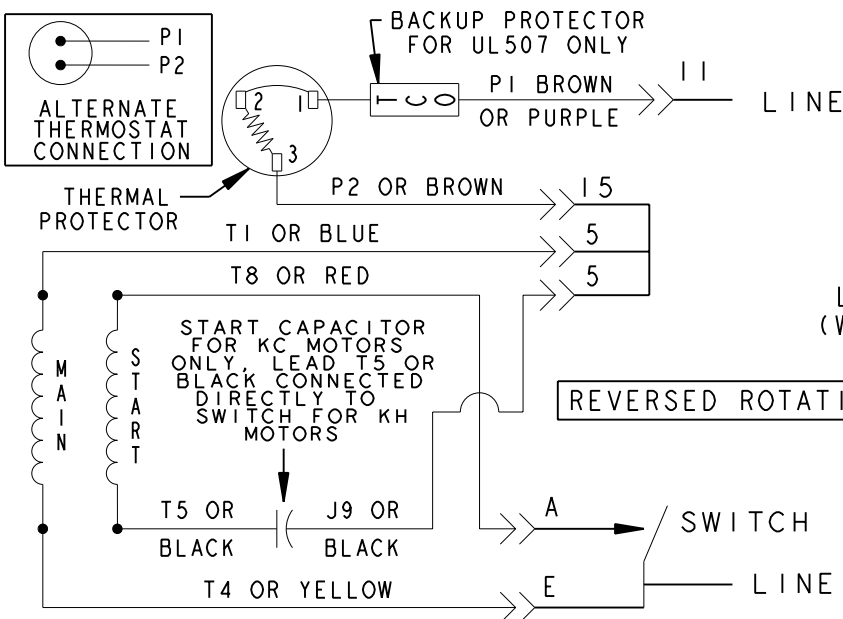
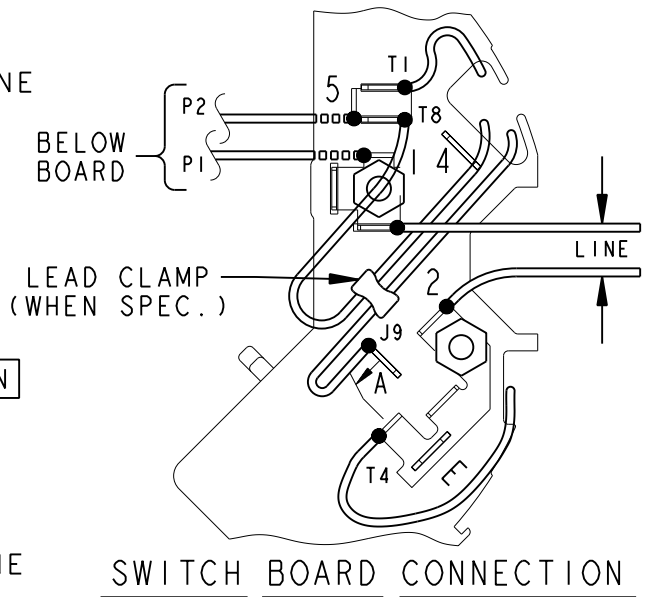
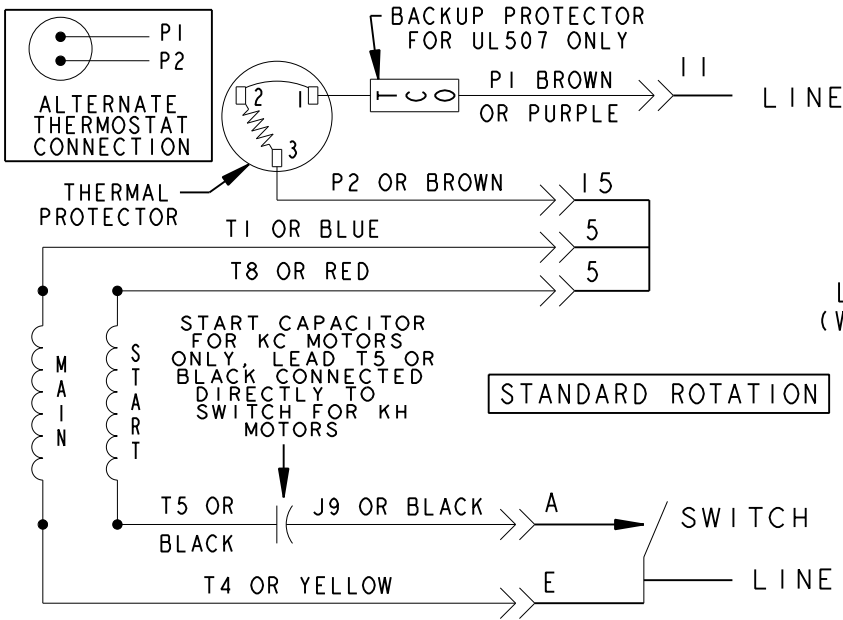
THIRD ANGLE PROJECTION



REVISIONS

REV.	DESCRIPTION	DATE	APPROVED
6	UPDATED FORMAT	12/01/05	MAM

EITHER ROTATION-SINGLE VOLTAGE-TYPE KC OR KH-WITH THERMAL PROTECTOR



NOTE #1 - TO REVERSE ROTATION INTERCHANGE RED (T8) AND BLACK (J9-KC OR T5-KH) LEADS.
NOTE #2 - WHEN MORE THAN ONE CAPACITOR IS USED CONNECT IN PARALLEL.

SWITCH (C) - 115D958AB

REF. DIAG. - 121A851

CONN. LABEL - 52X332048

SIGNATURES		DATE
MODEL	M. D. PAPE	06/29/87
DETAIL	.	.
CHECKED	.	.
ENGRG	.	.
MFG	.	.
FOR ADDITIONAL INFO REFER TO:	QUALITY	.
APPLIED PRACTICES	ISSUED	M. D. P. 03/08/00
DIMENSIONS ARE IN INCHES ✓	SOLID MODEL: 52A105379AA	



REGAL-BELOIT CORPORATION

TITLE CONNECTION DIAGRAM

FMF - 30 FR SWITCH REDESIGN

SIZE DRAWING A 52A105379AA REV 6

SCALE: 1.000 REF. No: SHEET 1 of 1

